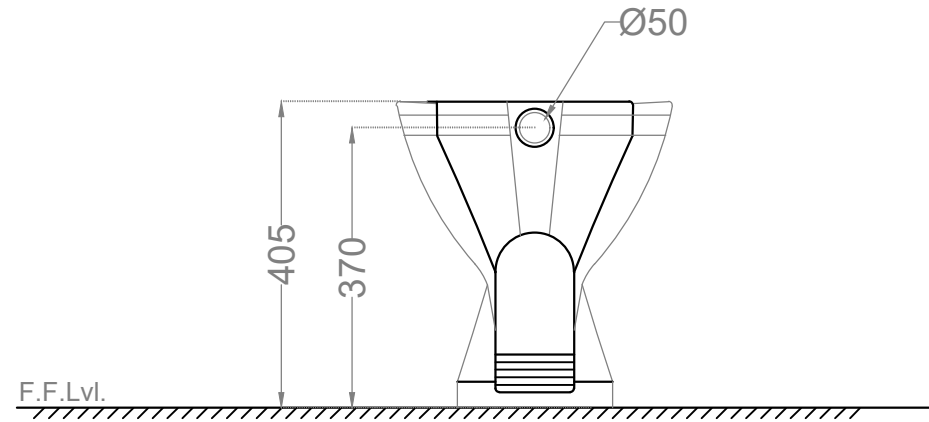
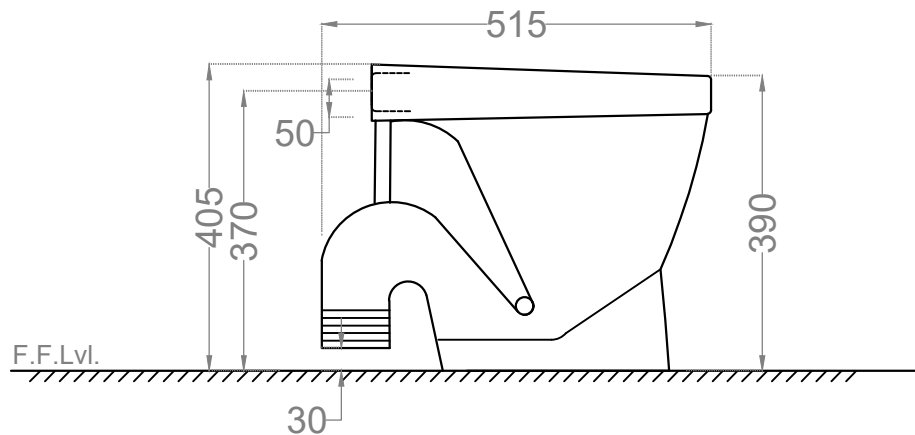


**TOP VIEW**



**BACK VIEW**



**SIDE VIEW**



**Jaquar Group**

Global Headquarters  
 Plot No. 3, Sector- M-11, IMT Manesar  
 Gurgaon, NCR - 122050, India  
 E-mail : Sales: [support@jaquar.com](mailto:support@jaquar.com)  
 Customer Service : [service@jaquar.com](mailto:service@jaquar.com)

ITEM CODE	AIS-WHT-101551SNPPSM
ITEM TYPE	EWC S TRAP
ITEM SIZE	340x515x405 mm
ALL DIMENSIONS ARE IN MM. (TOLERANCE ± 5 MM)	