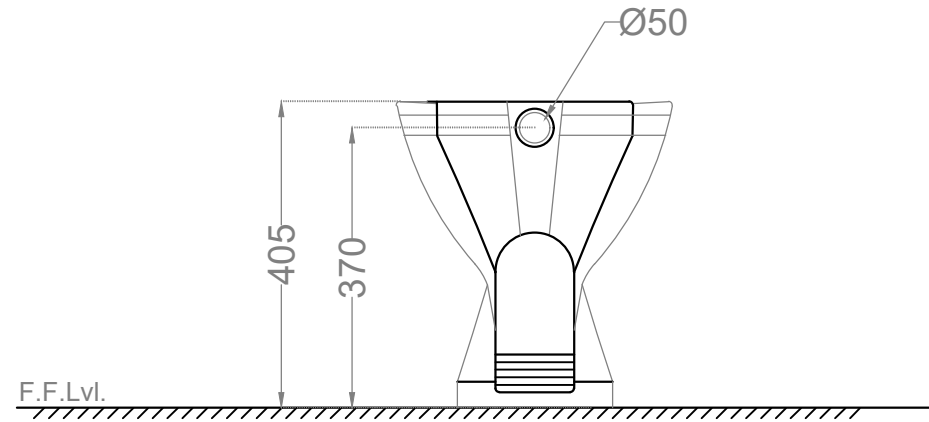
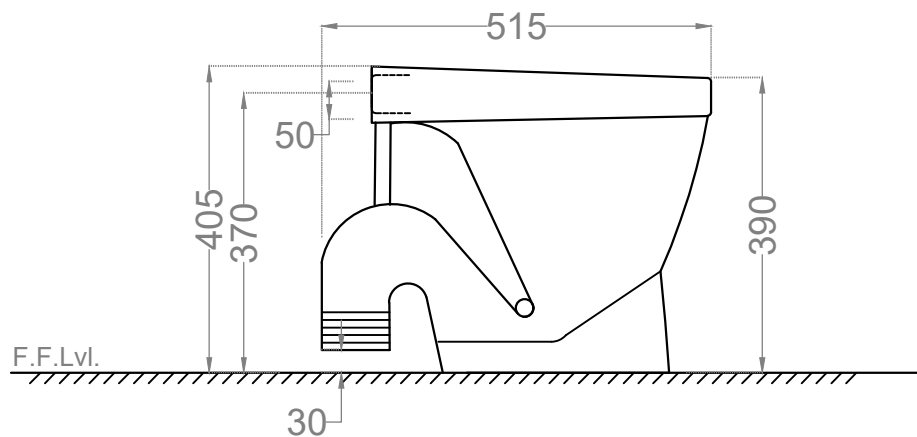



TOP VIEW



BACK VIEW



SIDE VIEW

 <p>ESSCO BY Jaquar GROUP</p>	<p>Jaquar Group</p> <p>Global Headquarters Plot No. 3, Sector- M-11, IMT Manesar Gurgaon, NCR - 122050, India E-mail : Sales: support@jaquar.com Customer Service : service@jaquar.com</p>		ITEM CODE	AIS-WHT-101551SSPPSM
	ITEM TYPE	EWC S TRAP	ITEM SIZE	340x515x405 mm
	ALL DIMENSIONS ARE IN MM. (TOLERANCE ± 5 MM)			