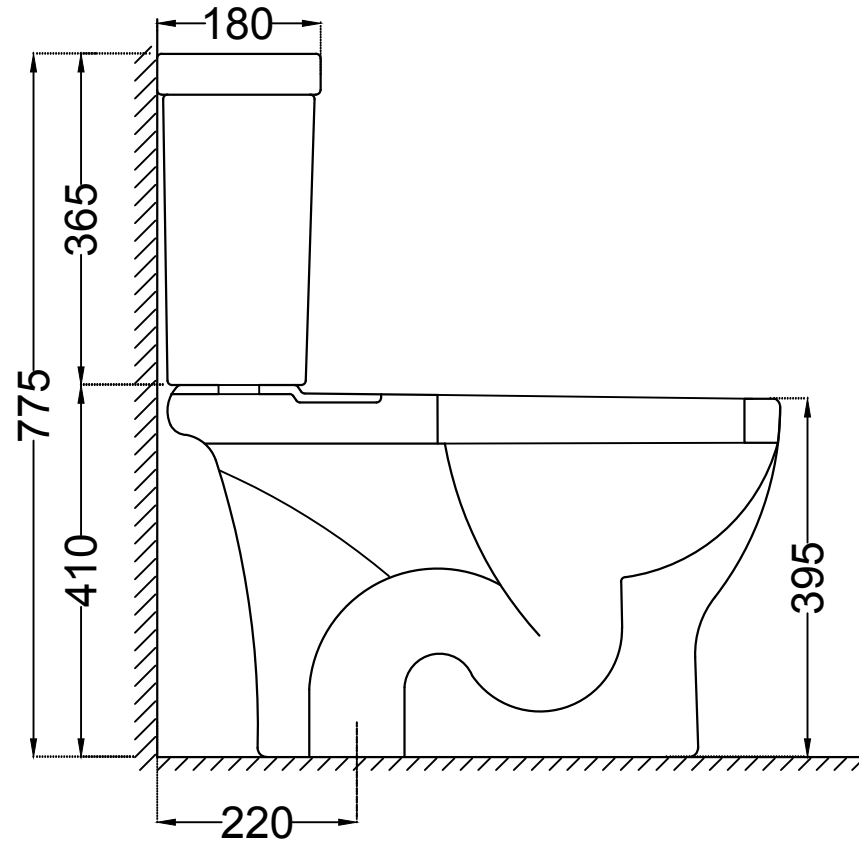


TOP VIEW



SIDE VIEW

	<b>Jaquar Group</b> Global Headquarters Plot No. 3, Sector- M-11, IMT Manesar Gurgaon, NCR - 122050, India E-mail : <a href="mailto:Sales:support@jaquar.com">Sales: support@jaquar.com</a> Customer Service : <a href="mailto:service@jaquar.com">service@jaquar.com</a>		ITEM CODE	AIS-WHT-101751S220NPPSMZ
	ITEM TYPE	COUPLED WC S-TRAP 220 MM		
	ITEM SIZE	395x680x775 mm		
	ALL DIMENSIONS ARE IN MM. (TOLERANCE ± 5 MM)			