



ECS-WHT-751S220SPPZ

SPECIFICATION DATA SHEET

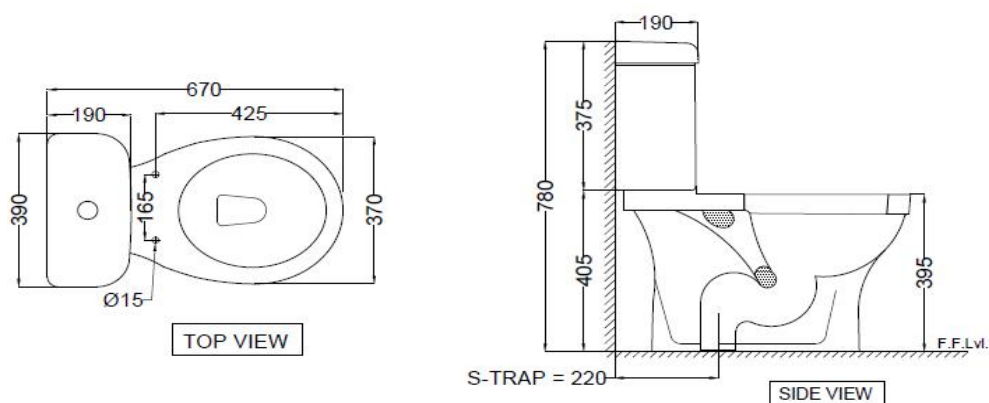
PRODUCT DETAILS

| | | | |
|---------------------------|--|------------------|--|
| Manufacturer : | ESSCO | Type: | Complete Set For Coupled WC (S-Trap) |
| Colour: | White | Outlet | Vertical |
| Technical Details: | External diameter of outlet hole dia. ϕ 100 \pm 5 mm | Material: | Ceramic - Vitreous China |
| | Horizontal distance between the wall line and the centre line of the waste outlet hole \leq 220 mm | | |

PRODUCT IMAGE



TECHNICAL DRAWING



| | | |
|--------------------------|-----------------|--|
| Product Dimension | 390x670x780 mm | FEATURES Combined packing of Bowl & Cistern, Efficient Flushing, Dual Flushing - 3/6 LPF, Anti germ glaze, Trap glaze, |
| Trap Distance | S Trap - 220 mm | |
| Product Weight | 29.5 Kg | |

ACCESSORIES INCLUDED

| | |
|--------------------------|---------------|
| PP Soft Close Seat cover | ECS-WHT-109S |
| Floor fixing screw | ZPS-SNS-FB01 |
| Wax Seal | ZPS-WHT-1401 |
| Cistern | ECS-WHT-201C |
| Cistern Fittings | ZCF-WHT-FT003 |

CERTIFICATION

All technical dimensions are in accordance to Bureau of Indian Standards

DISCLAIMER: Our every effort has been made to ensure factual accuracy, the information presented subject to changes due to requirements in different sites, markets and/or countries. All dimensions are in mm (Tolerance \pm 5 MM). Jaquar reserves the right to make the necessary amendments at any time without prior notice.