

**SPECIFICATION DATA SHEET**

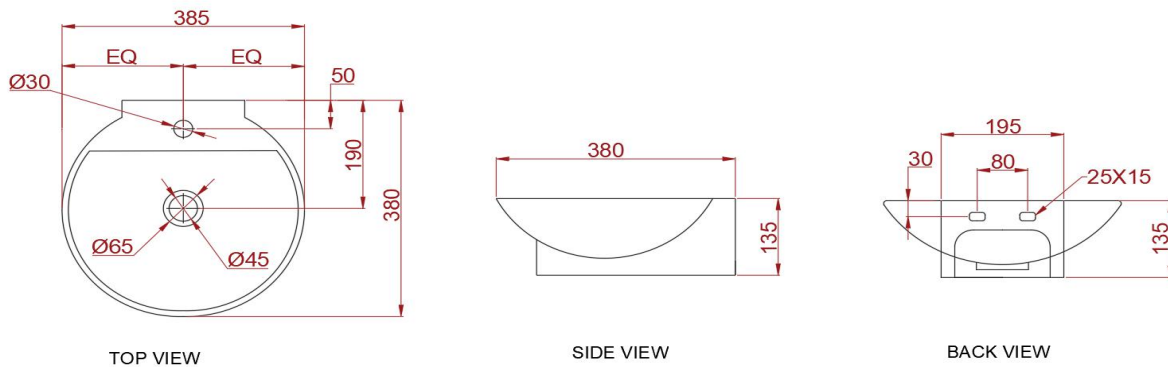
**PRODUCT DETAILS**

<b>Manufacturer :</b>	ESSCO	<b>Type:</b>	Table Top Basin
<b>Outlet</b>	Vertical	<b>Colour:</b>	White
<b>Technical Details:</b>	Tap hole dia. $\varnothing 30 \pm 2$ mm	<b>Material:</b>	Ceramic - Vitreous China
	ID of waste outlet hole dia. $\varnothing 45 \pm 3$ mm	Horizontal distance between the centre line of the tap hole and the centre line of the waste outlet hole $\leq 140$ mm	

**PRODUCT IMAGE**



**TECHNICAL DRAWING**



<b>Product Dimension</b>	385x380x135 mm	<b>FEATURES</b>  With Tap Hole, Can be also used as wall hung basin, Anti germ glaze.
<b>Basin Inner Dimension</b>	365x275x110 mm	
<b>Product Weight</b>	6.6 kg	

**CERTIFICATION**

**All technical dimensions are in accordance to Bureau of Indian Standards**  
 DISCLAIMER: Our every effort has been made to ensure factual accuracy, the information presented subject to changes due to requirements in different sites, markets and/ or countries. All dimensions are in mm (Tolerance  $\pm 5$  MM). Jaquar reserves the right to make the necessary amendments at any time without prior notice.